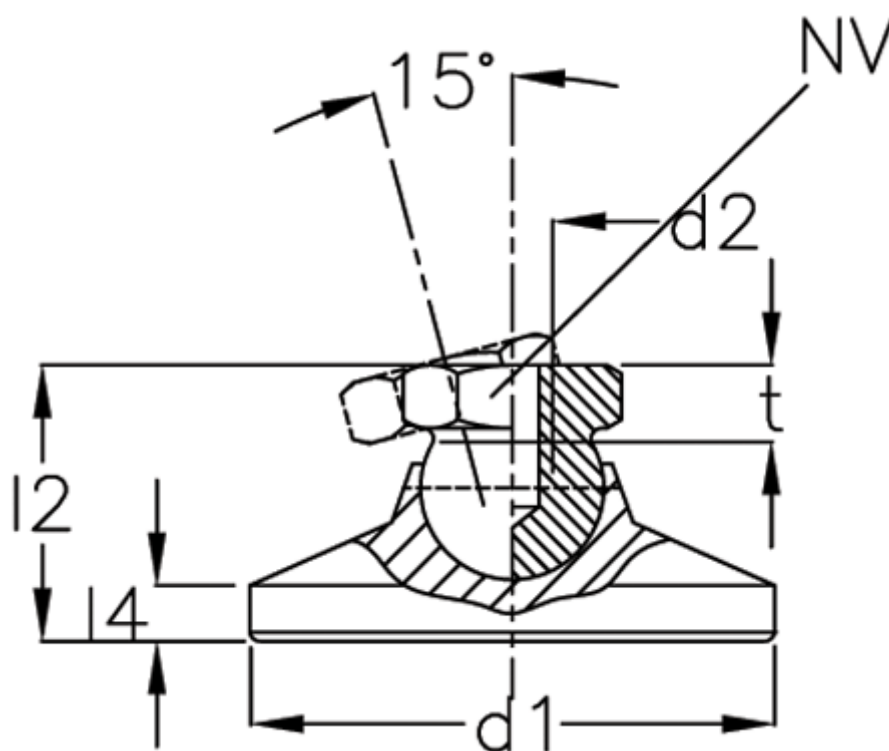


Data Sheet



Article number: 20343132M8KS
Description: E+G levelling foot
GN 343.1-32-M8-KS

Measures



d1	= 32
d2	= 8
l2	= -
l4	= -
NV	= 12
Static load (kN)	= 14
t min	= 9